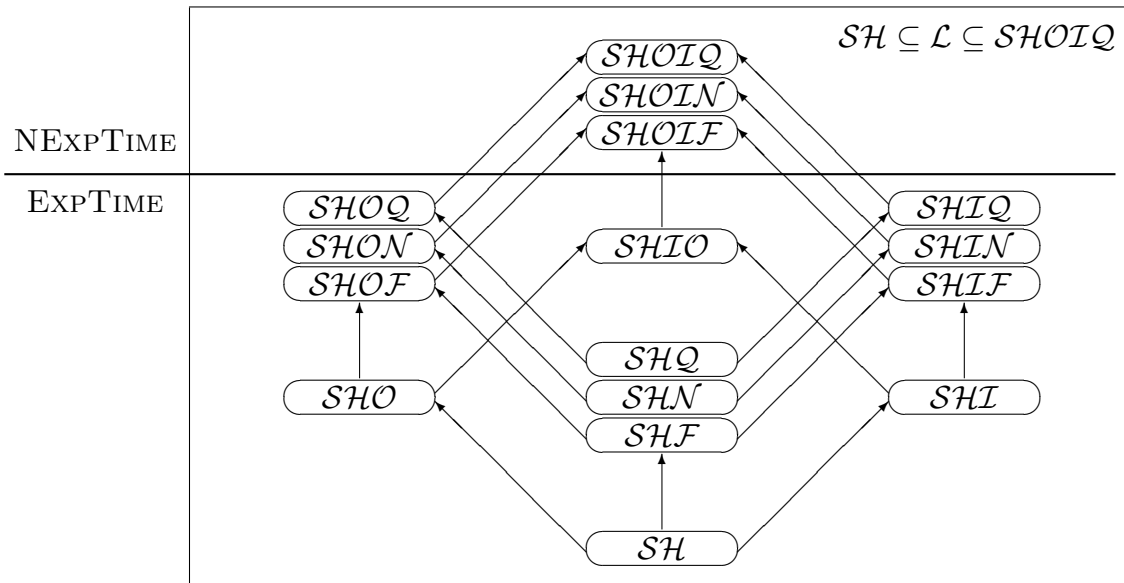
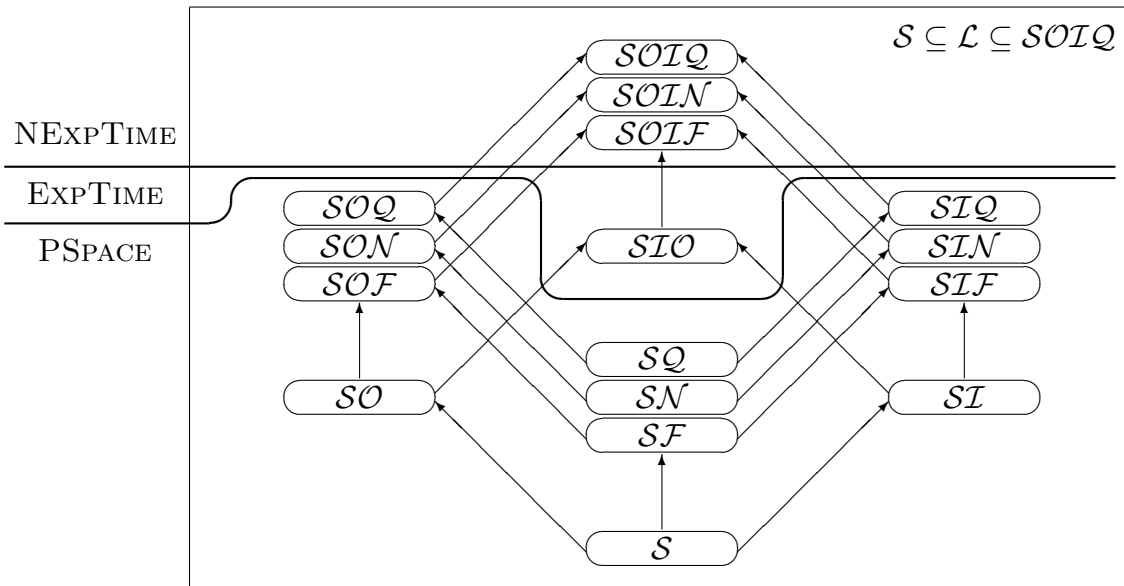
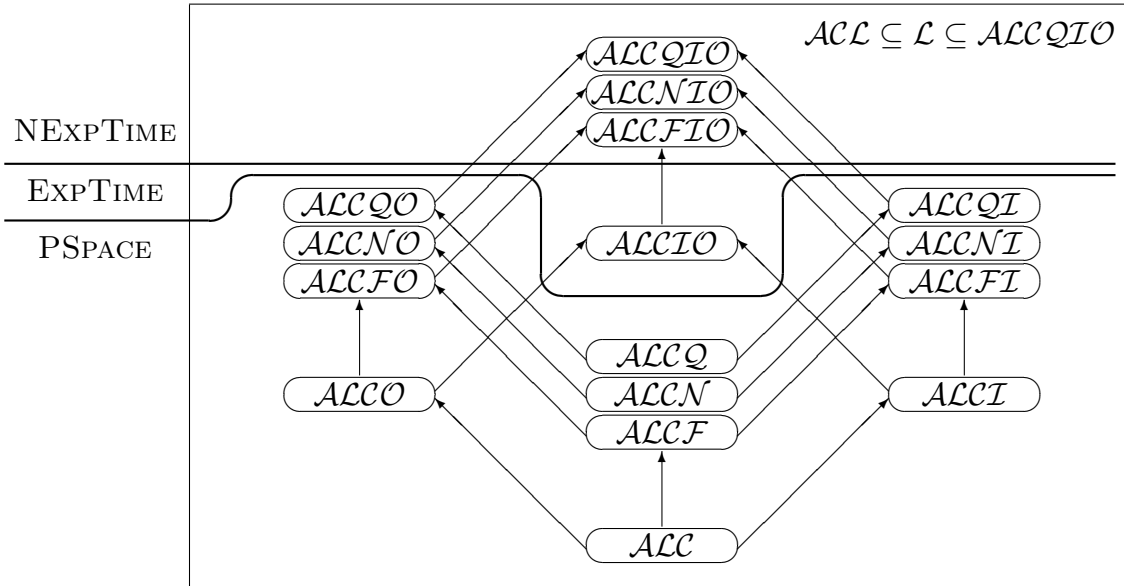
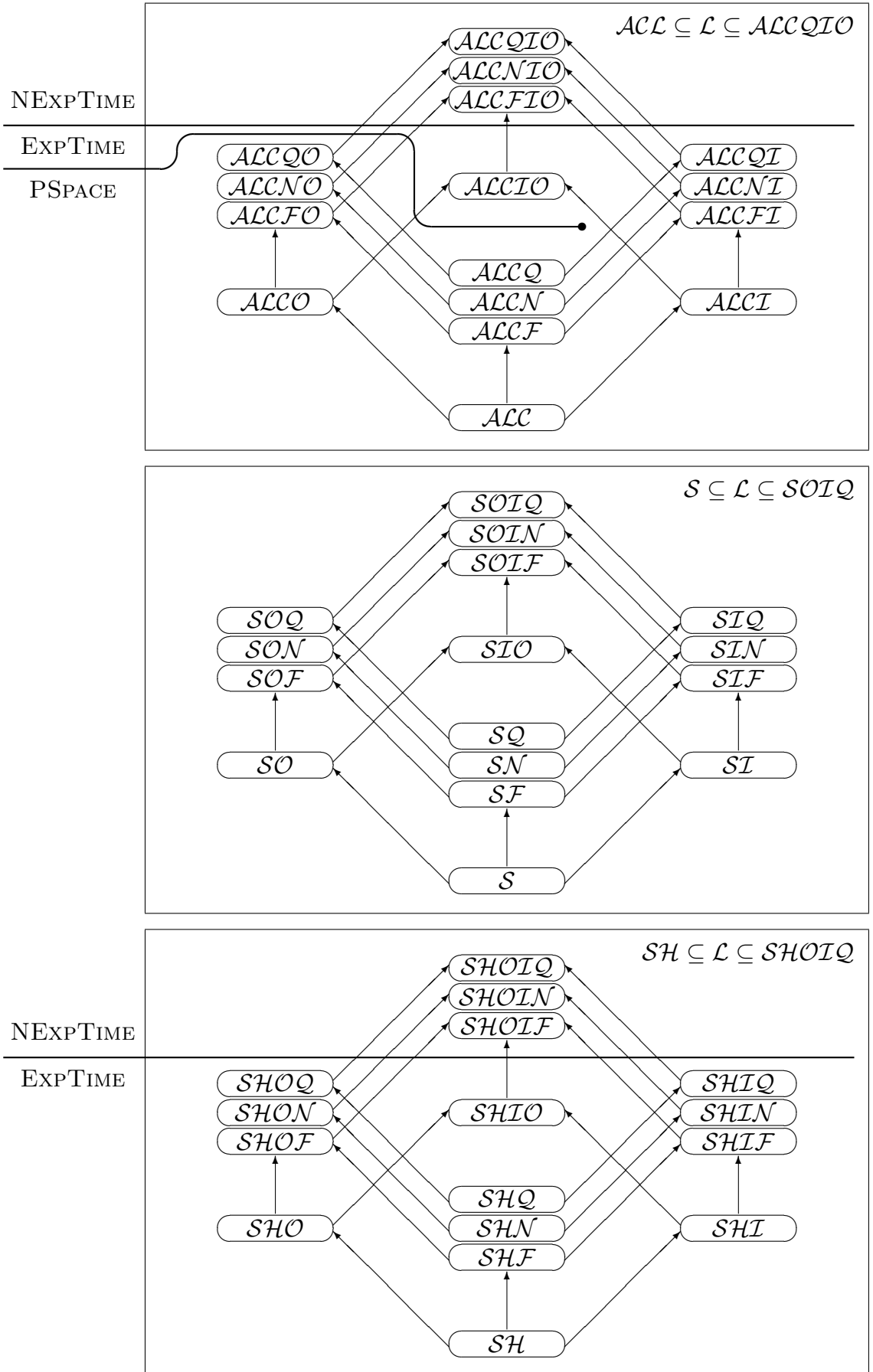


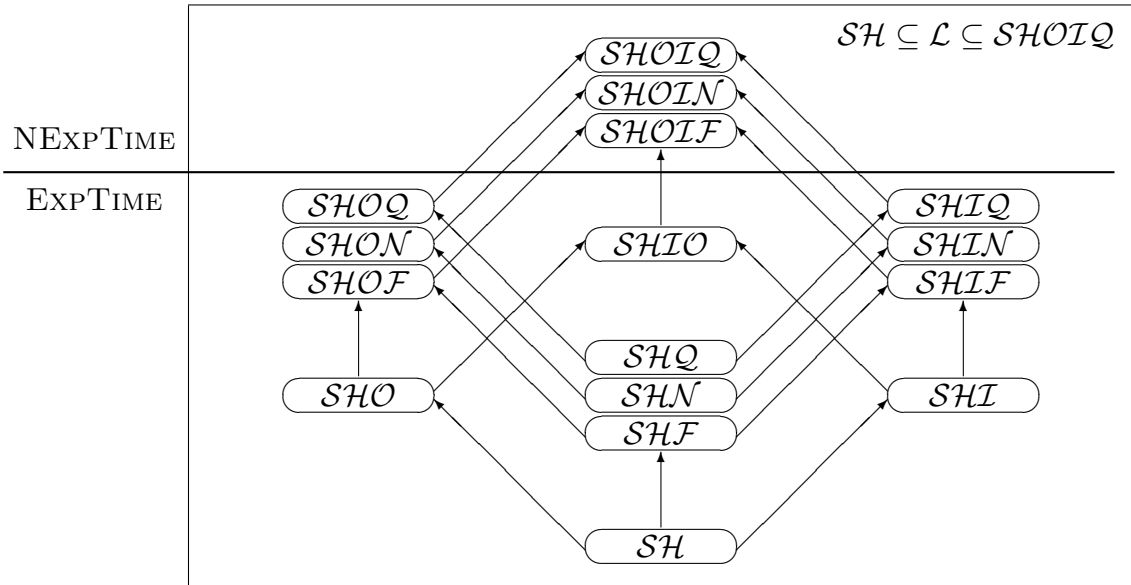
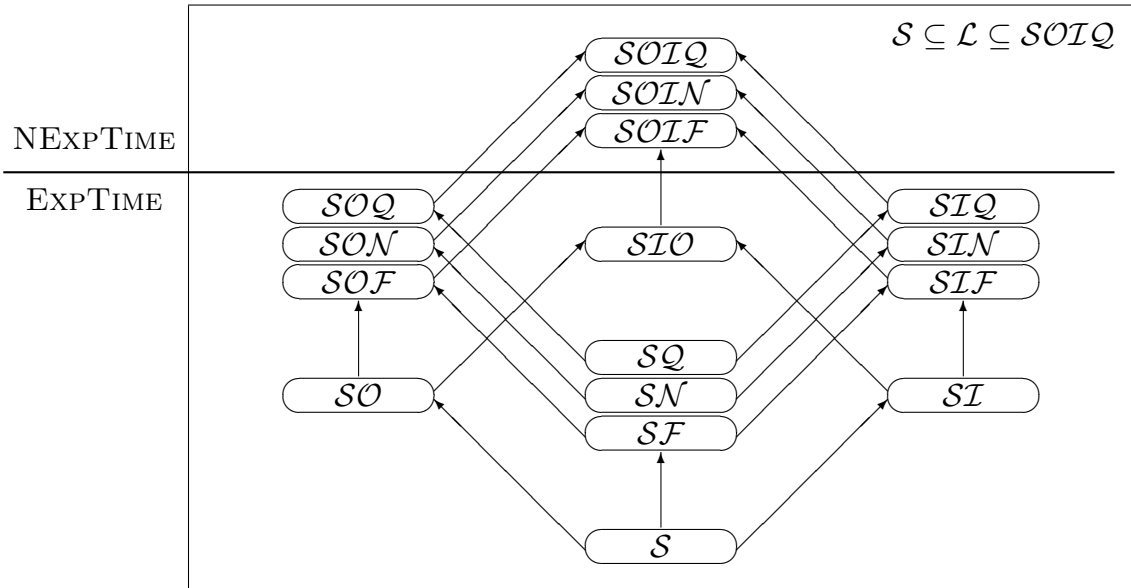
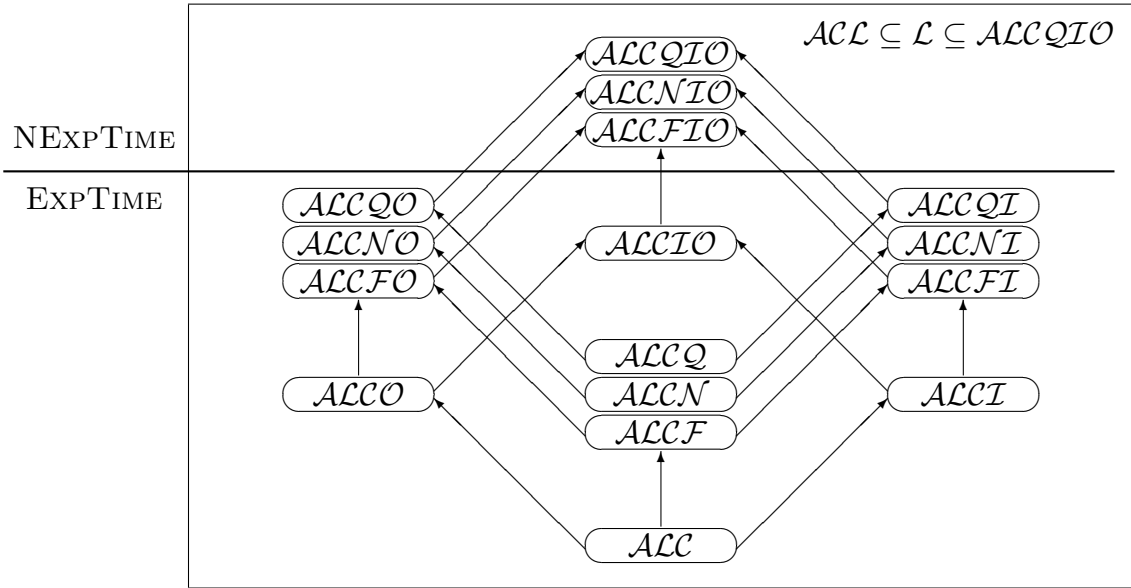
Complexity of concept satisfiability problem w.r.t. empty TBox



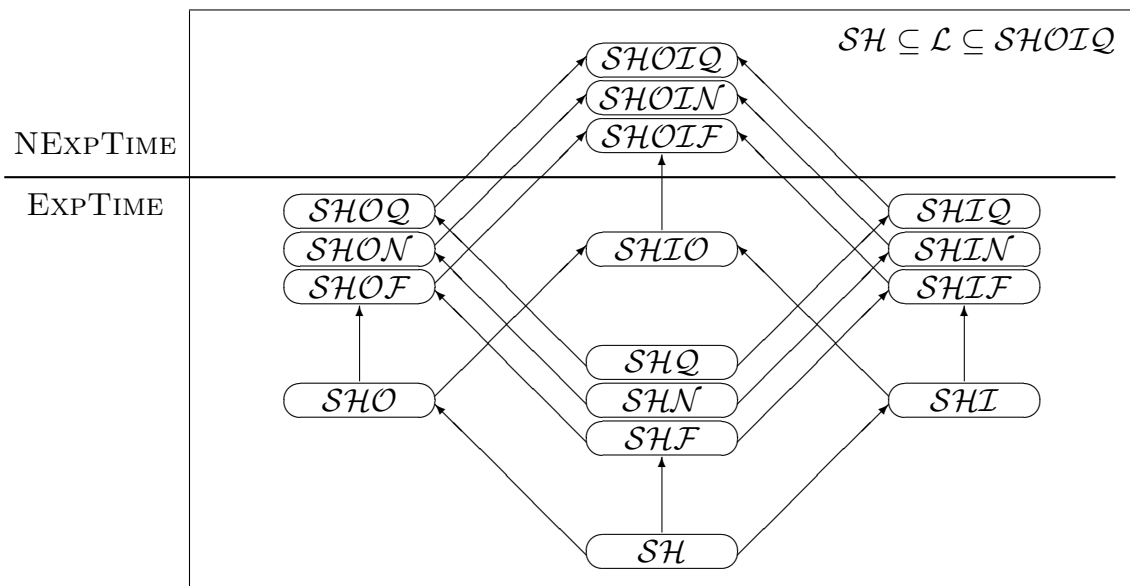
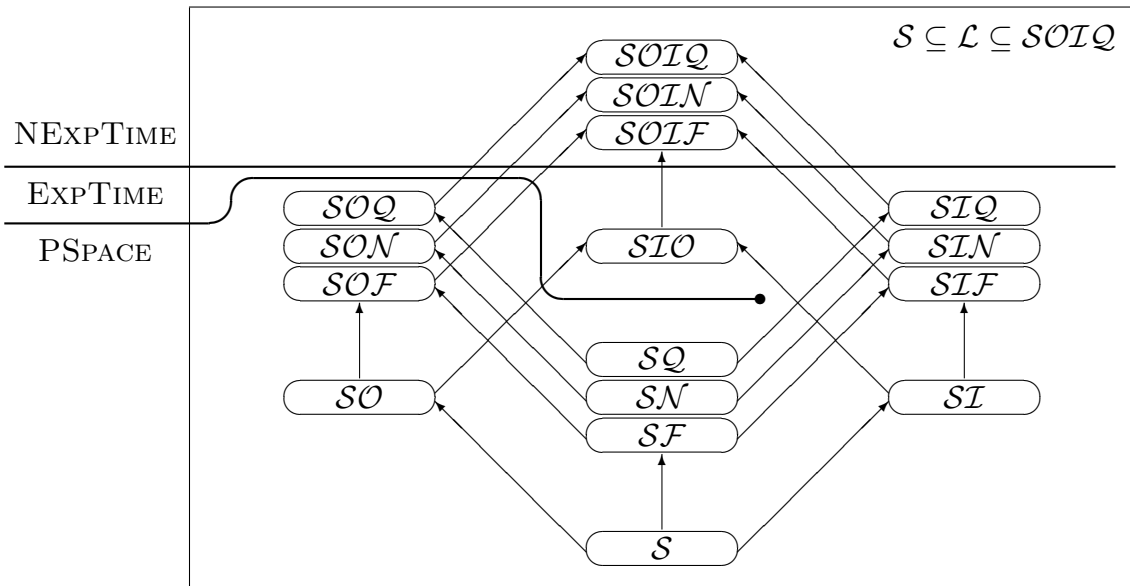
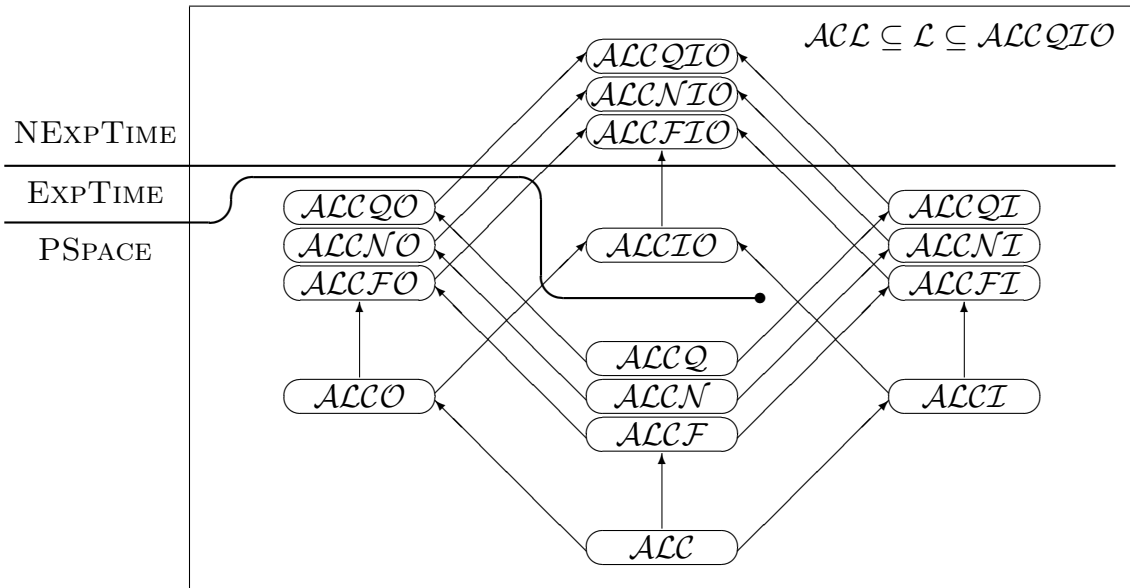
Complexity of concept satisfiability problem w.r.t. acyclic TBox



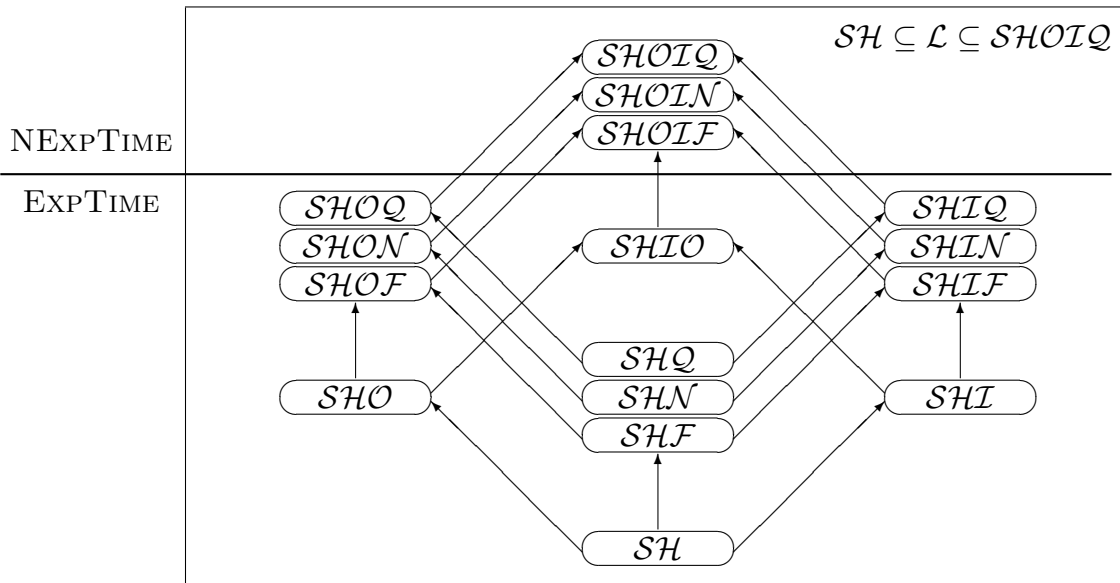
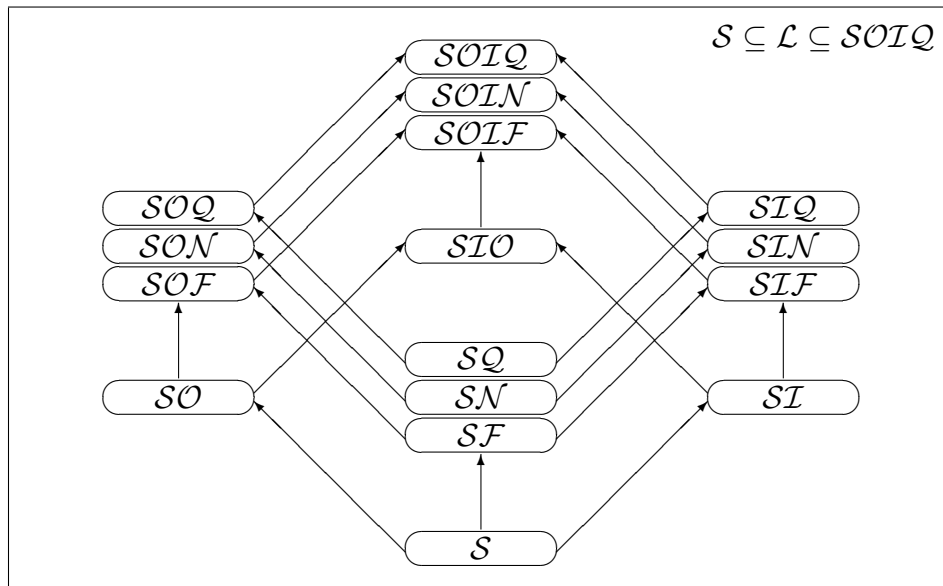
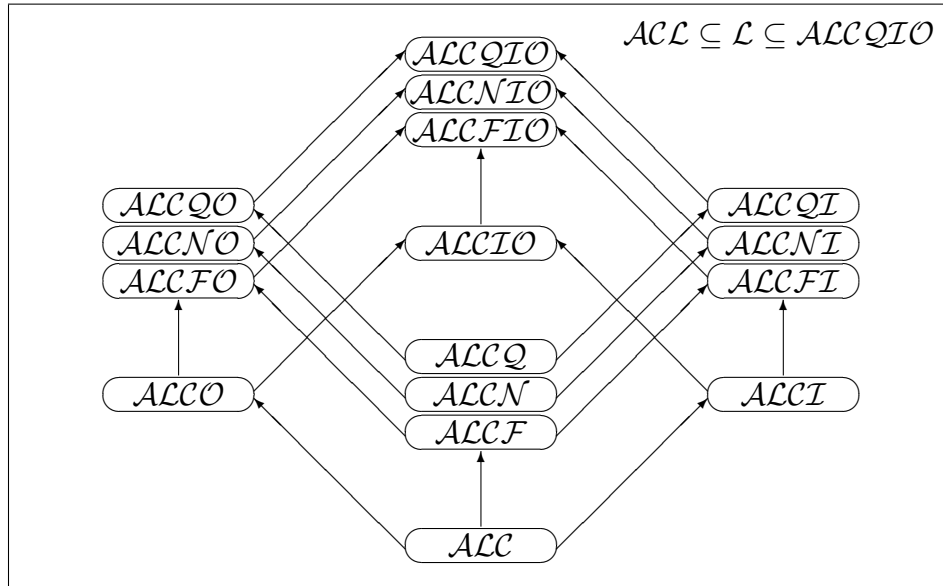
Complexity of concept satisfiability problem w.r.t. general TBox



Complexity of **ABox consistency** problem w.r.t. empty TBox



Complexity of **ABox consistency** problem w.r.t. **acyclic TBox**



Complexity of **ABox consistency** problem w.r.t. **general TBox**

